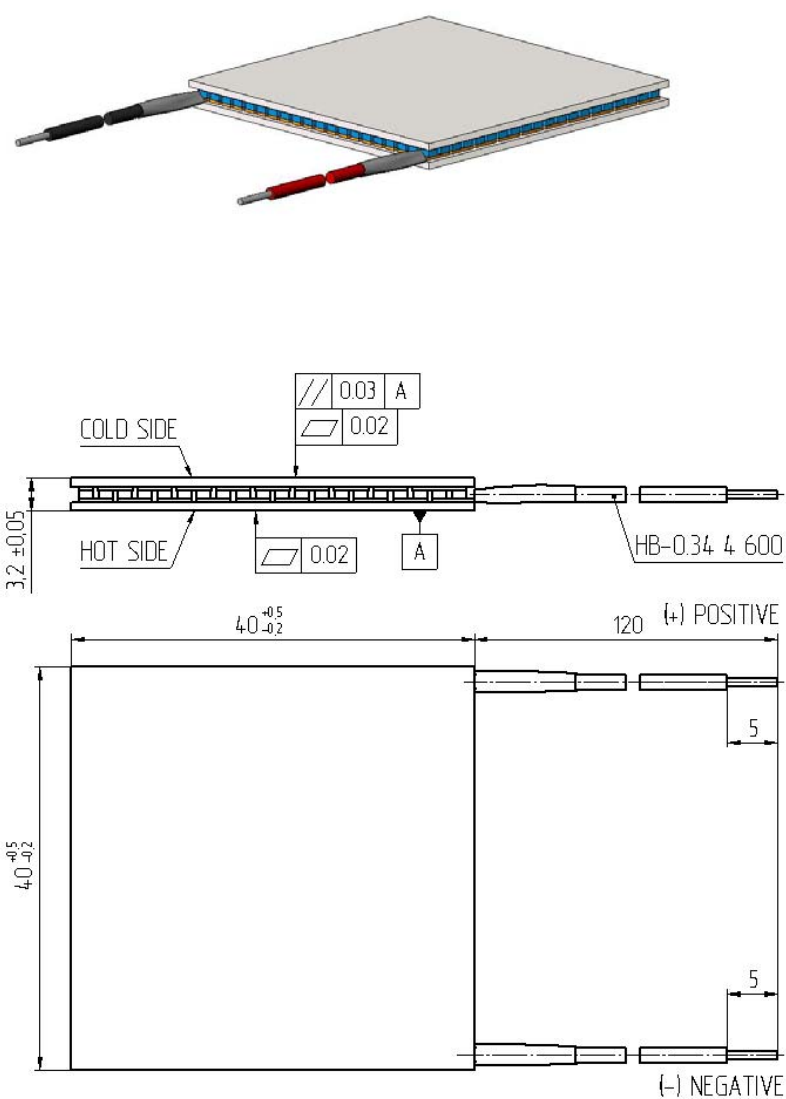




6 Aerodromnaya street, Saint-Petersburg, 197348 Russia
 Tel: +7 812 394-13-10, fax: +7 812 394-12-67, E-mail: info@kryotherm.ru, http://www.kryotherm.ru

SPECIFICATION OF THERMOELECTRIC MODULE Drift-0.8



| Thermoelectrical parameters | Unit | Value |
|----------------------------------|-------|-------|
| I_{max} | Amps | 11.3 |
| U_{max} | Volts | 24.6 |
| ΔT_{max} | K | 69 |
| Q_{max} | Watts | 172 |
| R_{ac} (at 295 K) | Ohm | 1.65 |
| Tolerance | % | ±10 |

All parameters except R_{ac} are given at Th=300 K

| Assembly parameters | Unit | Value |
|------------------------|-----------------|-------|
| Wires | | 20AWG |
| Cross section | mm ² | |
| Metallization | | Not |
| Sealing | | Not |
| Internal solder | °C | 139 |
| Brazing solder | °C | Not |

| Operational parameters | Unit | Value |
|------------------------------------|------|------------|
| Working temperature range | °C | -50 ÷ +120 |
| Max. processing temperature | °C | 130 |
| ROHS compliance | | - |

