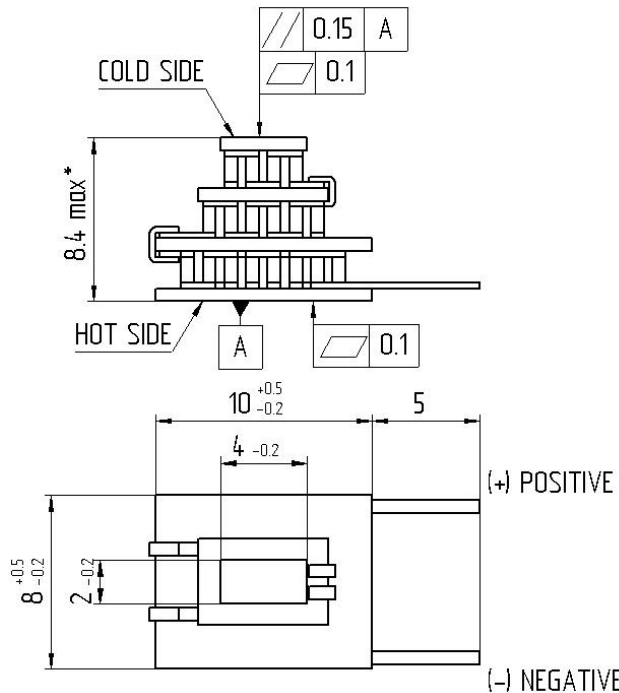
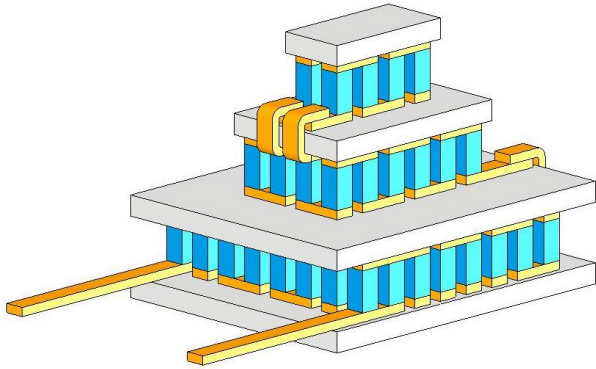


SPECIFICATION OF THERMOELECTRIC MODULE TB-3-(31-11-4)-1,2


*Tolerance of the TEC's height for a lot is ± 0.35 mm

Thermoelectric parameters	Unit	Value
I_{max}	Amps	1,1
U_{max}	Volts	3,5
ΔT_{max}	K	108
R_{ac}	Ohm	4,3
Q_{max}	Watts	0,5
Tolerance	%	± 10

All parameters except R_{ac} are given at $T_h=300$ K

Assembly parameters	Unit	Value
Wires	-	-
Cross section	mm²	-
Metallization		Not
Sealing		Not
Internal solder	°C	139
Brazing solder	°C	not

Operation parameters	Unit	Value
Working temperature range	°C	-50 ÷ +80
Max. processing temperature	°C	120
ROHS compliance		YES

