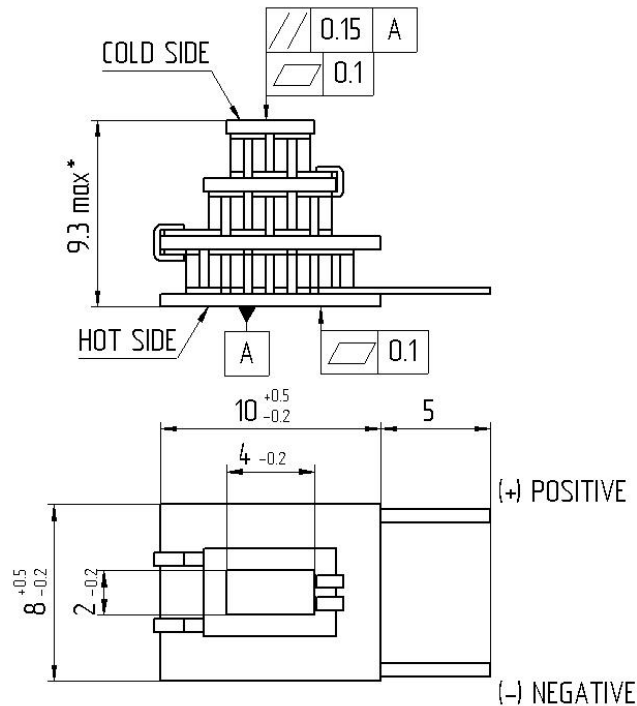
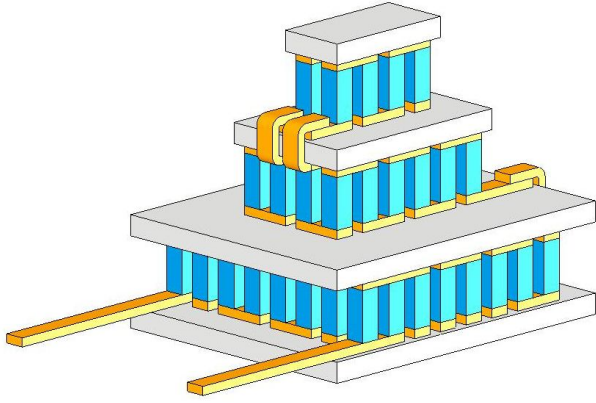


**SPECIFICATION OF THERMOELECTRIC MODULE TB-3-(31-11-4)-1,5**


\*Tolerance of the TEC's height for a lot is  $\pm 0.35$  mm

Thermoelectric parameters	Unit	Value
<b><math>I_{max}</math></b>	<b>Amps</b>	<b>0,9</b>
<b><math>U_{max}</math></b>	<b>Volts</b>	<b>3,5</b>
<b><math>\Delta T_{max}</math></b>	<b>K</b>	<b>109</b>
<b><math>R_{ac}</math></b>	<b>Ohm</b>	<b>5,4</b>
<b><math>Q_{max}</math></b>	<b>Watts</b>	<b>0,4</b>
<b>Tolerance</b>	<b>%</b>	<b><math>\pm 10</math></b>

*All parameters except  $R_{ac}$  are given at  $T_h=300$  K*

Assembly parameters	Unit	Value
<b>Wires</b>	-	-
<b>Cross section</b>	<b>mm<sup>2</sup></b>	-
<b>Metallization</b>		<b>Not</b>
<b>Sealing</b>		<b>Not</b>
<b>Internal solder</b>	<b>°C</b>	<b>139</b>
<b>Brazing solder</b>	<b>°C</b>	<b>not</b>

Operation parameters	Unit	Value
<b>Working temperature range</b>	<b>°C</b>	<b>-50 ÷ +80</b>
<b>Max. processing temperature</b>	<b>°C</b>	<b>120</b>
<b>ROHS compliance</b>		<b>YES</b>

