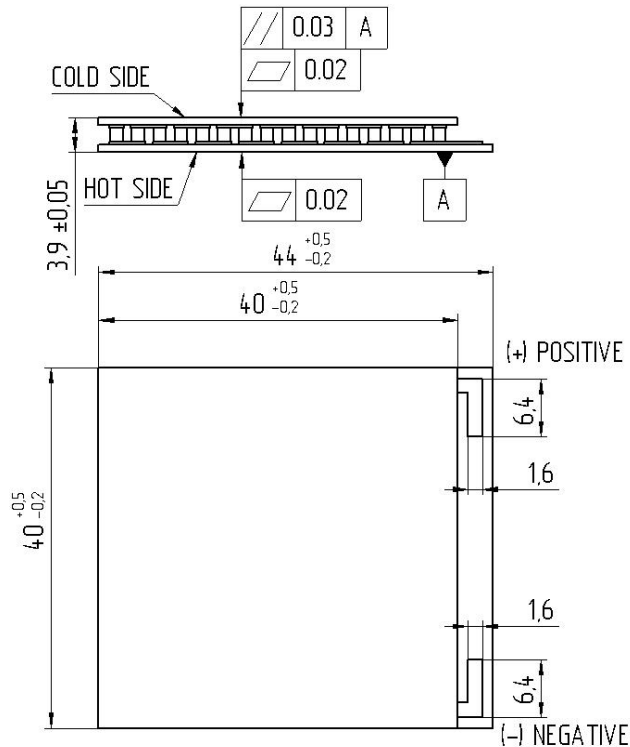
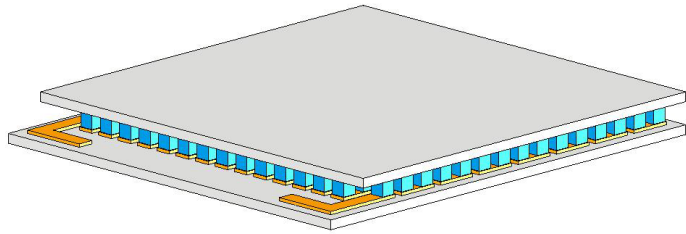


SPECIFICATION OF THERMOELECTRIC MODULE FROST-75


Thermoelectric parameters	Unit	Value
I_{max}	Amps	6.3
U_{max}	Volts	16.8
ΔT_{max}	K	75
Q_{max}	Watts	66
R_{ac} (at 295 K)	Ohm	2.05
Tolerance	%	±10

All parameters except R_{ac} are given at Th=300 K

Assembly parameters	Unit	Value
Wires		HB-0.35 4 600
Cross section	mm²	0.35
Metallization		Not
Sealing		Not
Internal solder	°C	139
Brazing solder	°C	Not

Operation parameters	Unit	Value
Working temperature range	°C	-50 ÷ +80
Max. processing temperature	°C	120
ROHS compliance		YES

