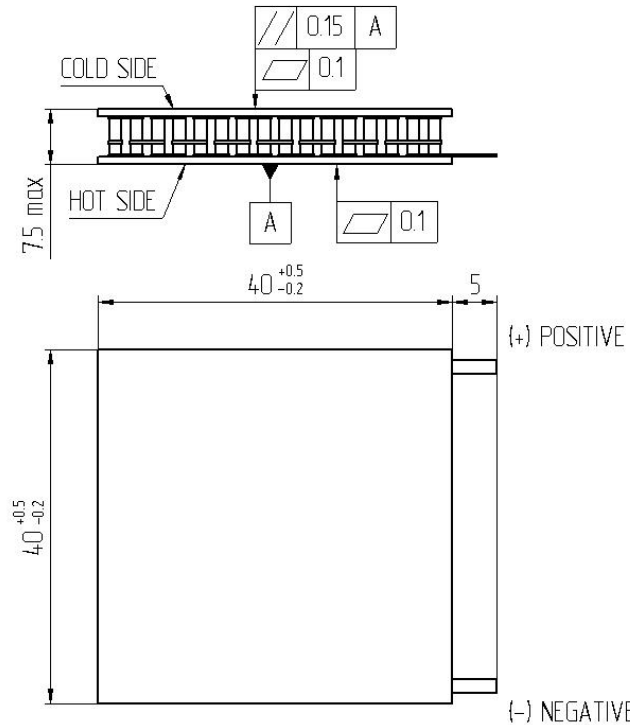
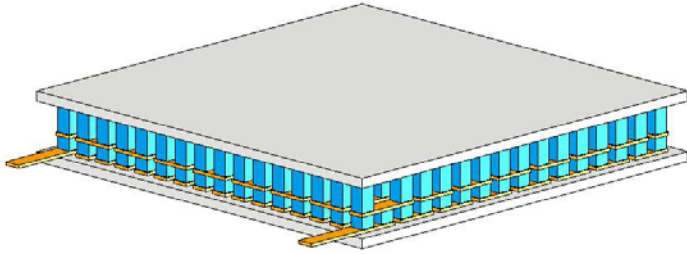


SPECIFICATION OF THERMOELECTRIC MODULE BULLFINCH


*Tolerance of the TEC's height for a lot is ± 0.35 mm

<i>Thermoelectric parameters</i>	<i>Unit</i>	<i>Value</i>
I_{max}	Amps	8.8
U_{max}	Volts	8.9
ΔT_{max}	K	87
Q_{max}	Watts	31.0
Tolerance	%	±10
<i>All parameters except R_{ac} are given at Th=300 K</i>		

<i>Assembly parameters</i>	<i>Unit</i>	<i>Value</i>
Wires		-
Cross section	mm²	-
Metallization		Not
Sealing		Not
Internal solder	°C	139
Brazing solder	°C	not

<i>Operation parameters</i>	<i>Unit</i>	<i>Value</i>
Working temperature range	°C	-50 ÷ +80
Max. processing temperature	°C	120
ROHS compliance		YES