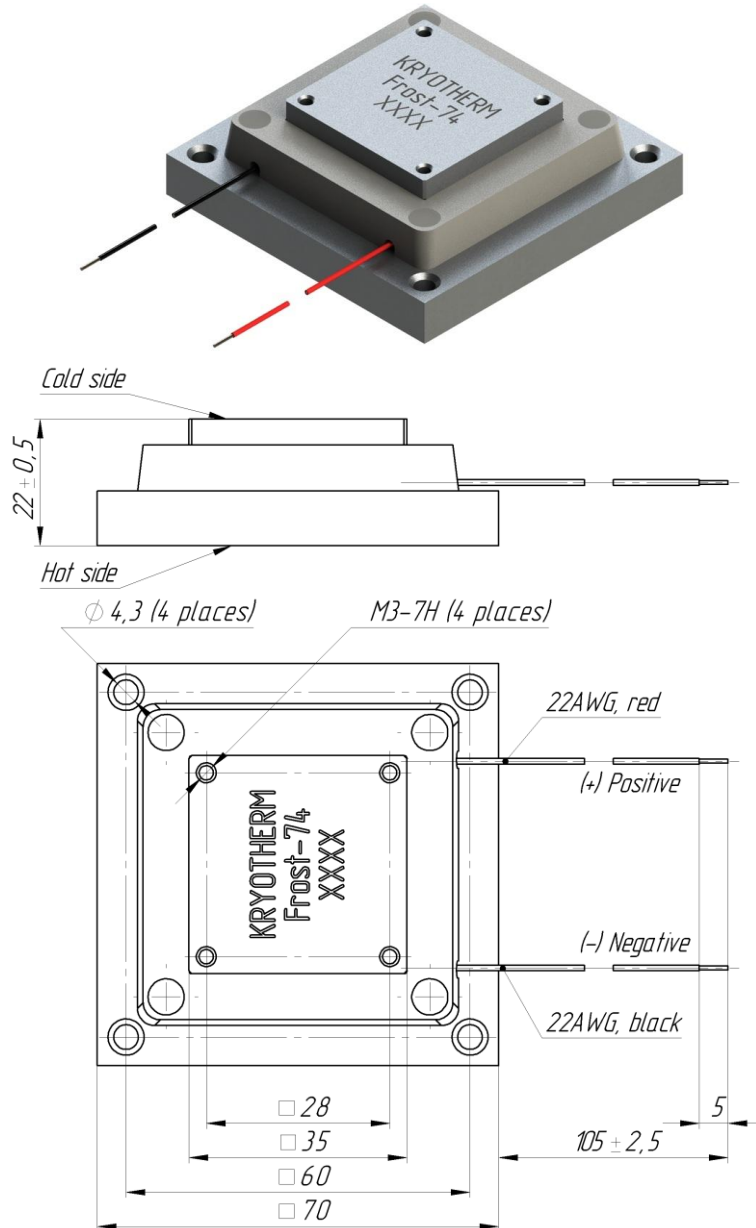


SPECIFICATION OF THERMOELECTRIC COOLING ASSEMBLY Cool Block Frost-74


<i>Thermoelectric parameters</i>	<i>Unit</i>	<i>Value</i>
Imax	A	6.3
Umax	V	16.7
ΔTmax ≥	K	74
Qmax ≥	W	65
R_{ac} (at 295 K)	Ohm	2.05
Tolerance R_{ac}	%	±10
<i>All parameters except R_{ac} are given at Th=300 K</i>		

<i>Assembly parameters</i>	<i>Unit</i>	<i>Value</i>
Wires	22AWG	
Cross section	mm²	0.326
Metallization	Not	
Sealing	Epoxy	
Internal solder	°C	139
Brazing solder	°C	Not

<i>Operation parameters</i>	<i>Unit</i>	<i>Value</i>
Working temperature range	°C	-50 ÷ +120
Max. processing temperature	°C	130
ROHS compliance		Yes