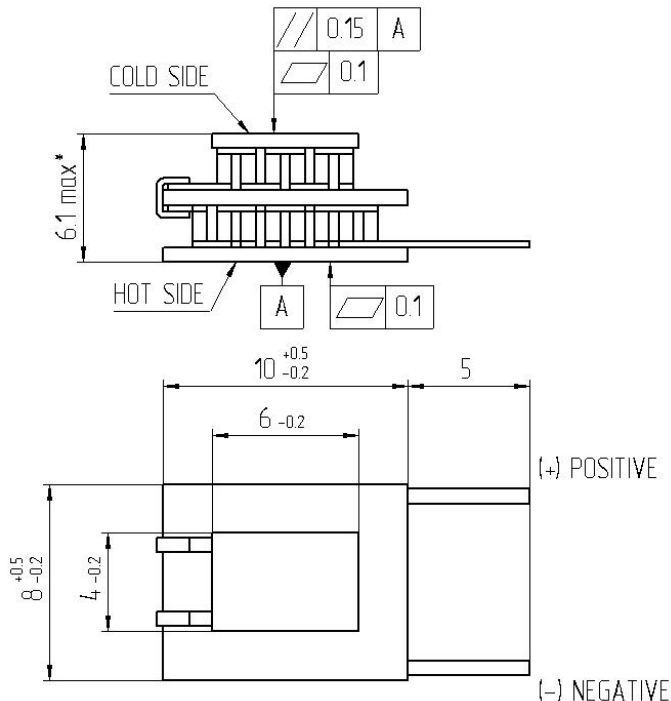
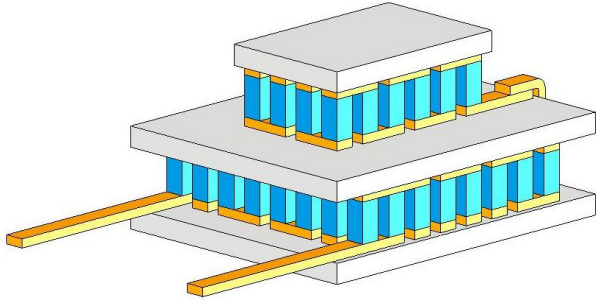


SPECIFICATION OF THERMOELECTRIC MODULE TB-2-(31-12)-1,2


*Tolerance of the TEC's height for a lot is ±0.35 mm

Thermoelectric parameters	Unit	Value
I_{max}	Amps	1,2
U_{max}	Volts	3,7
ΔT_{max}	K	92
R_{ac}	Ohm	2,85
Q_{max}	Watts	1,4
Tolerance	%	±10

All parameters except R_{ac} are given at Th=300 K

Assembly parameters	Unit	Value
Wires	-	-
Cross section	mm²	-
Metallization		Not
Sealing		Not
Internal solder	°C	139
Brazing solder	°C	not

Operation parameters	Unit	Value
Working temperature range	°C	-50 ÷ +80
Max. processing temperature	°C	120
ROHS compliance		YES

