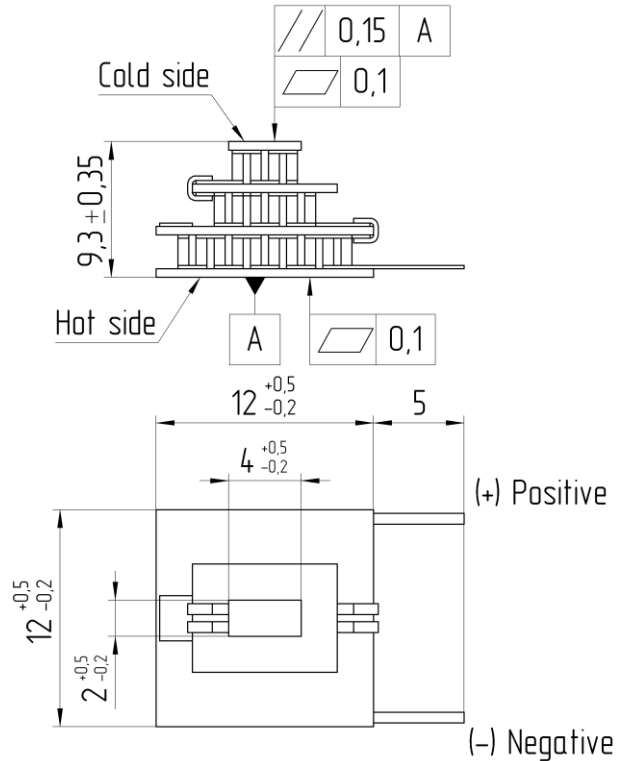
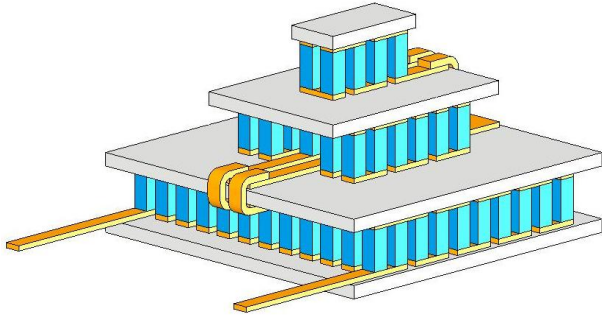


SPECIFICATION OF THERMOELECTRIC MODULE TB-3-(59-17-4)-1.5


<i>Thermoelectric parameters</i>	<i>Unit</i>	<i>Value</i>
I_{max}	A	1.0
U_{max}	V	6.8
ΔT_{max}	K	114
Q_{max}	W	0.5
R_{ac} (at 295 K)	Ohm	7.2
Tolerance	%	±10
<i>All parameters except R_{ac} are given at Th=300 K</i>		

<i>Assembly parameters</i>	<i>Unit</i>	<i>Value</i>
Wires		-
Cross section	mm²	-
Metallization		Not
Sealing		Not
Internal solder	°C	139
Brazing solder	°C	not

<i>Operation parameters</i>	<i>Unit</i>	<i>Value</i>
Working temperature range	°C	-50 ÷ +80
Max. processing temperature	°C	120
ROHS compliance		YES

