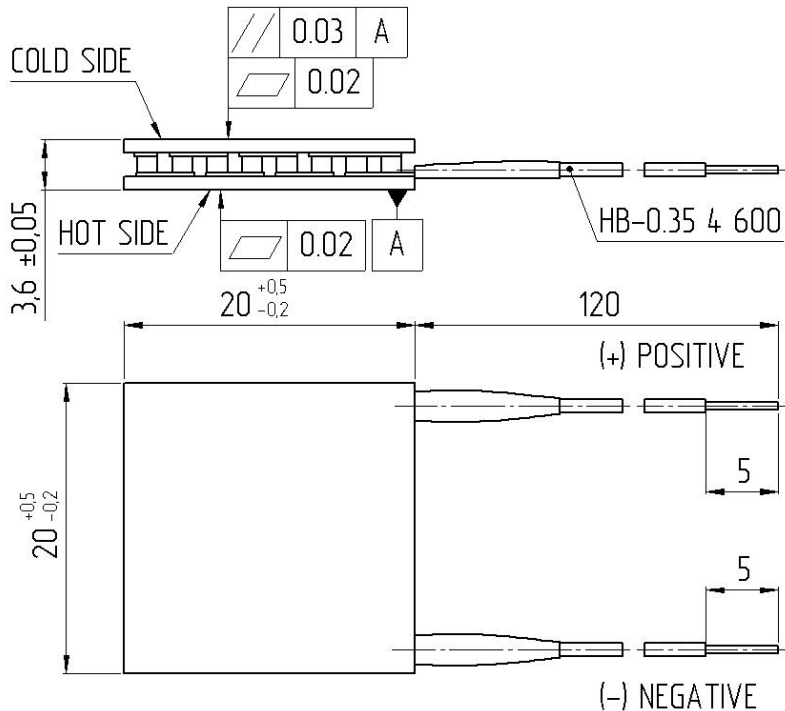
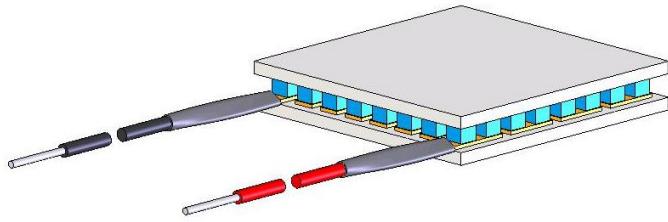


SPECIFICATION OF THERMOELECTRIC MODULE TB-31-1.4-1.15


| Thermoelectrical parameters | Unit | Value |
|----------------------------------|--------------|-------------|
| I_{max} | Amps | 7.9 |
| U_{max} | Volts | 3.8 |
| ΔT_{max} | K | 69 |
| Q_{max} | Watts | 18.6 |
| R_{ac} (at 295 K) | Ohm | 0.36 |
| Tolerance | % | ±10 |

All parameters except R_{ac} are given at Th=300 K

| Assembly parameters | Unit | Value |
|------------------------|-----------------------|----------------------|
| Wires | | HB-0.35 4 600 |
| Cross section | mm² | 0.35 |
| Metallization | | Not |
| Sealing | | Not |
| Internal solder | °C | 139 |
| Brazing solder | °C | not |

| Operational parameters | Unit | Value |
|------------------------------------|-----------|------------------|
| Working temperature range | °C | -50 ÷ +80 |
| Max. processing temperature | °C | 130 |
| ROHS compliance | | YES |

