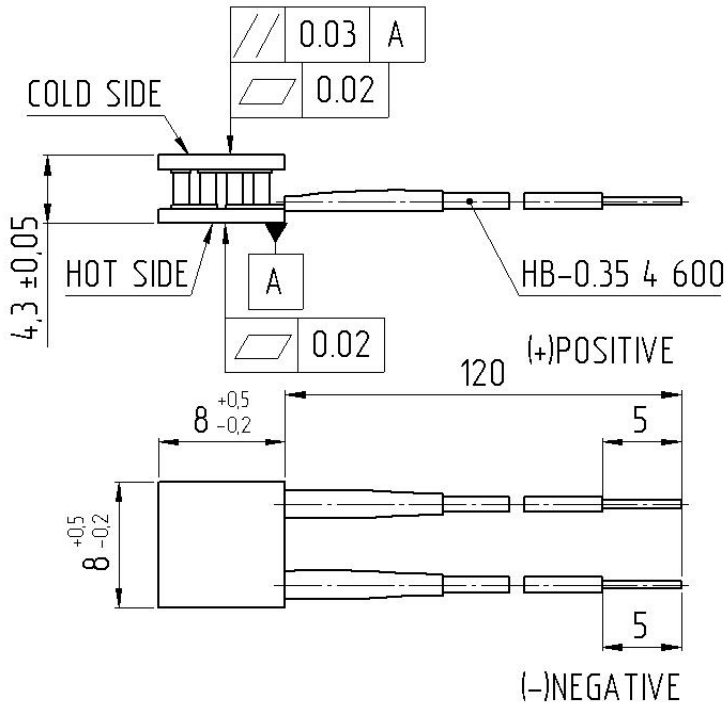
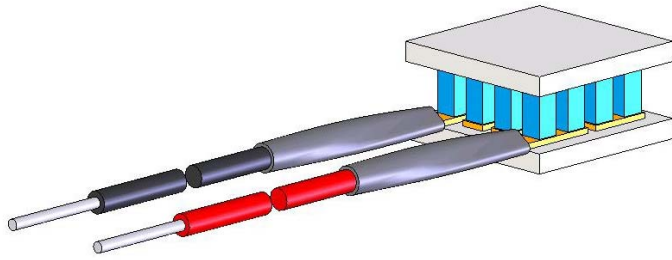


SPECIFICATION OF THERMOELECTRIC MODULE TB-7-1.0-2.0


Thermoelectrical parameters	Unit	Value
I_{max}	Amps	2.3
U_{max}	Volts	0.9
ΔT_{max}	K	70
Q_{max}	Watts	1.3
R_{ac} (at 295 K)	Ohm	0.26
Tolerance	%	±10

All parameters except R_{ac} are given at T_h=300 K

Assembly parameters	Unit	Value
Wires		HB-0.35 4 600
Cross section	mm ²	0.35
Metallization		Not
Sealing		Not
Internal solder	°C	139
Brazing solder	°C	not

Operational parameters	Unit	Value
Working temperature range	°C	-50 ÷ +80
Max. processing temperature	°C	130
ROHS compliance		YES

