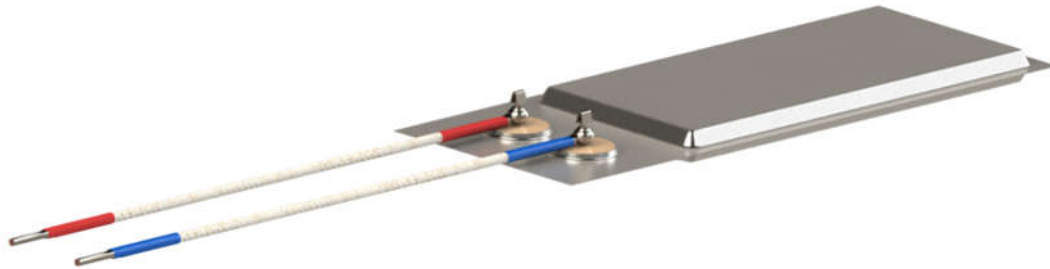


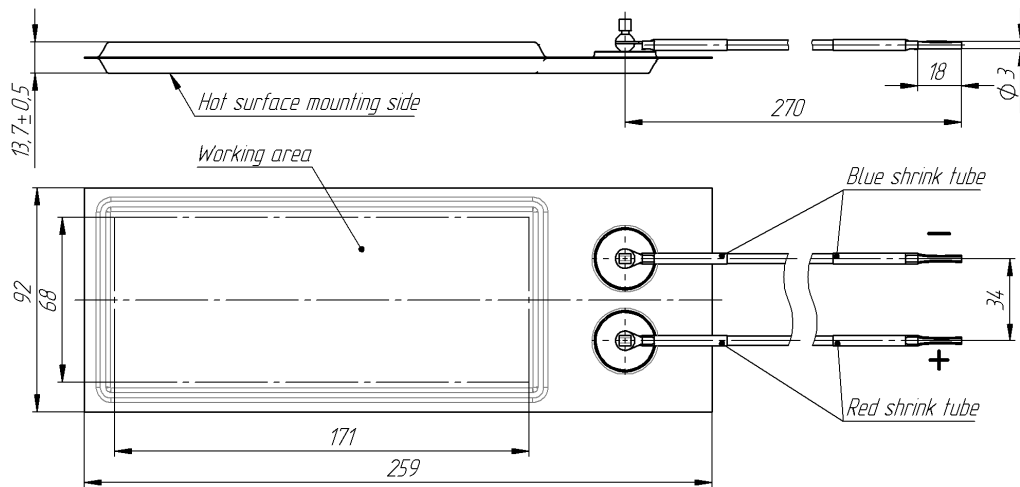
# SPECIFICATION OF THERMOELECTRIC GENERATING MODULE EUROPE-70



Thermoelectric parameters	Unit	Value
<b>P<sub>out</sub></b>	<b>W</b>	<b>70</b>
<b>I<sub>load</sub> (R<sub>L</sub>=R<sub>I</sub>)</b>	<b>A</b>	<b>13.5</b>
<b>U<sub>load</sub> (R<sub>L</sub>=R<sub>I</sub>)</b>	<b>V</b>	<b>5.2</b>
<b>Tolerance</b>	<b>%</b>	<b>±10</b>
<b>R<sub>i</sub></b>	<b>Ohm</b>	<b>0.4</b>
<i>All parameters are given at T<sub>h</sub>=600 °C, T<sub>c</sub>=115°C</i>		

Operational parameters	Unit	Value
<b>Working temperature</b>	<b>°C</b>	<b>600</b>
<b>Assembly pressure (per one module)</b>	<b>kN</b>	<b>35±5</b>
<b>Weight (with wires)</b>	<b>kg</b>	<b>0.86</b>

T<sub>h</sub> – hot surface mounting temperature  
 T<sub>c</sub> – cold surface temperature (at any condition must not exceed 115°C)  
 R<sub>L</sub> – electric load resistance  
 R<sub>I</sub> – module internal resistance



KRYOTHERM

CUSTOMER